

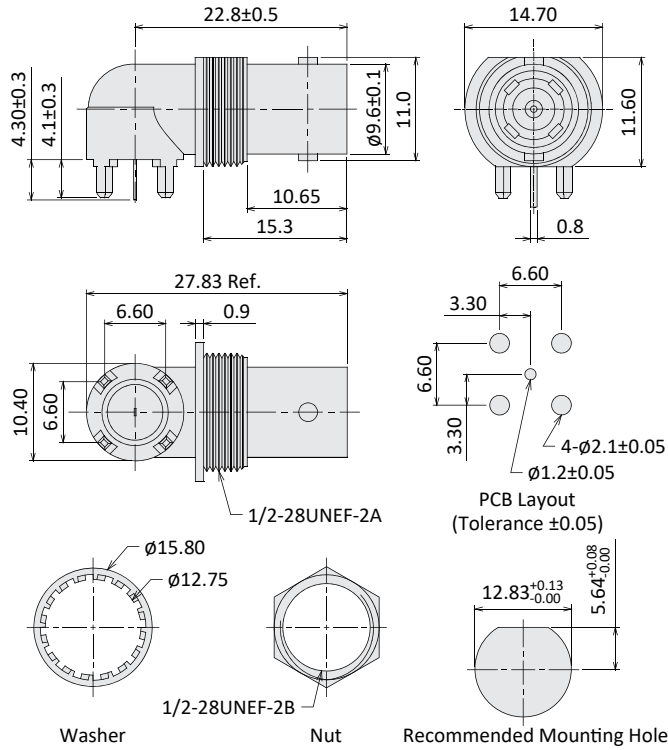
BNC Connector

Nominal Impedance: 50 or 75Ω
 Current Rate: 5A
 Voltage Rate: 500V AC
 Frequency Range: 0~4GHz(50Ω) 0~1GHz(75Ω)
 Material Contact: Copper Alloy, Gold Plated
 Material Body: Zinc Alloy, Nickel Plated
 Material Insulator: TEFLON / PE-606
 Material Washer: Steel, Nickel Plated
 Material Nut: Brass, Nickel Plated
 Operating Temperature: -55°C ~+155°C

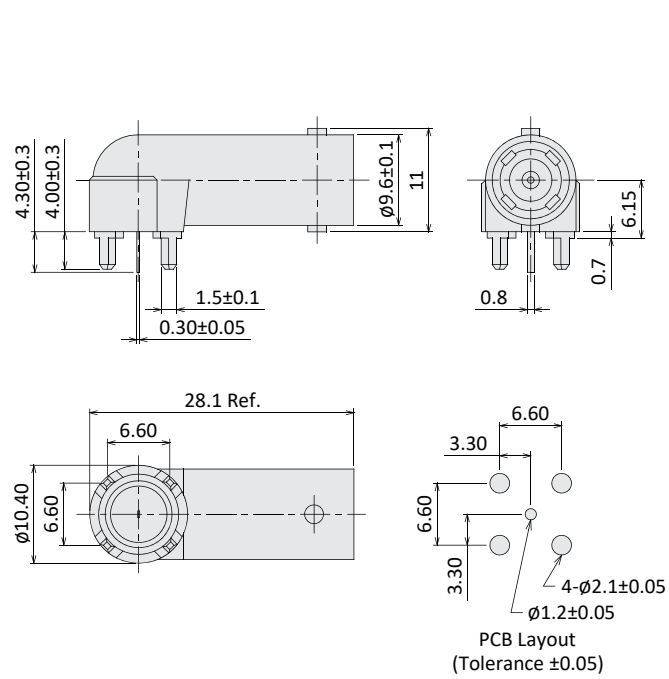


BNC Connector

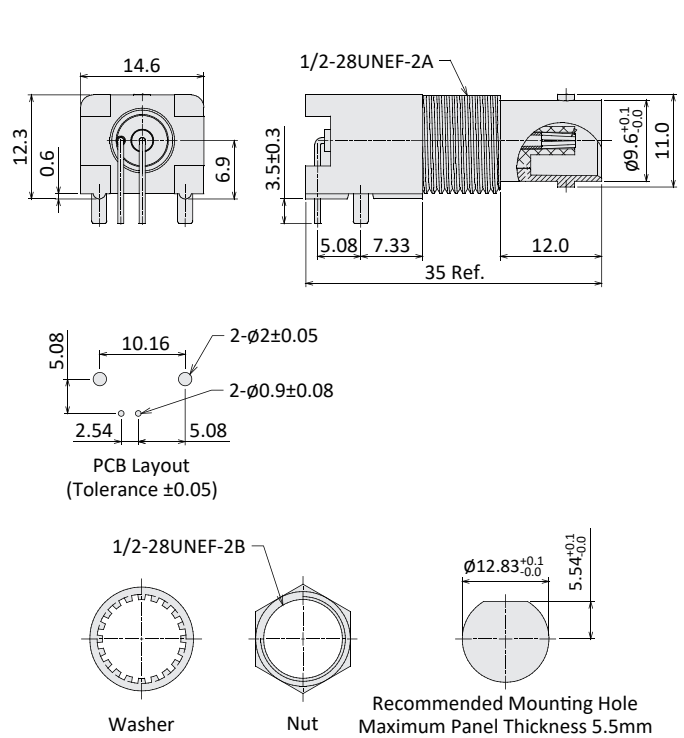
Part No.: BNCR-0142A



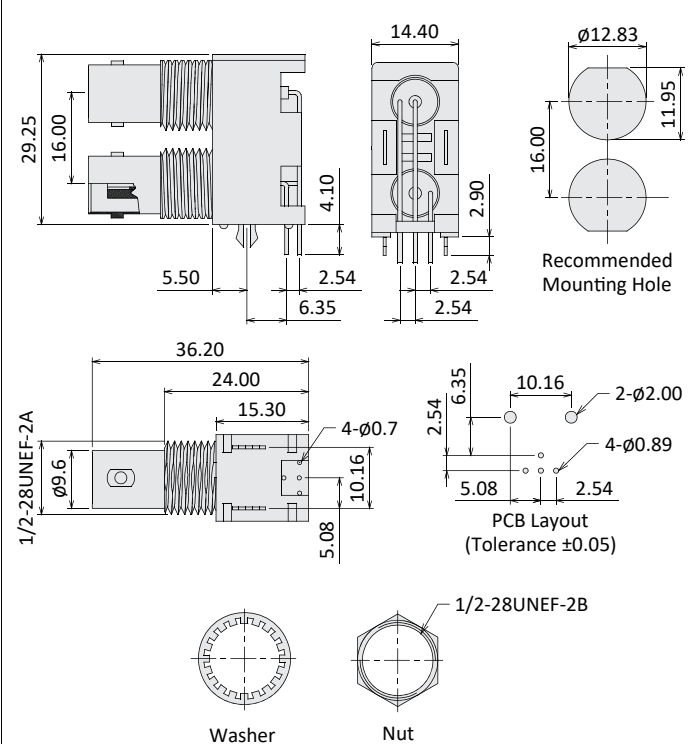
Part No.: BNCR-40084A



Part No.: BNCR-0172A



Part No.: BNCR-7044-2



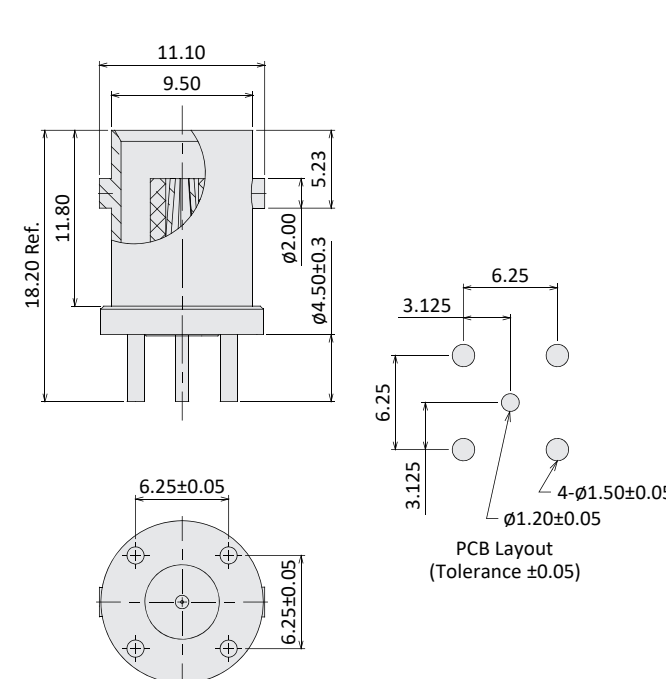
BNC Connector

Nominal Impedance: 50 or 75Ω
 Current Rate: 5A
 Voltage Rate: 500V AC
 Frequency Range: 0~4GHz(50Ω) 0~1GHz(75Ω)
 Material Contact: Copper Alloy, Gold Plated
 Material Body: Zinc Alloy, Nickel Plated
 Material Insulator: TPX/PE-606/POM/TEFLON
 Material Washer: Steel, Nickel Plated
 Material Nut: Brass, Nickel Plated
 Operating Temperature: -55°C ~+155°C

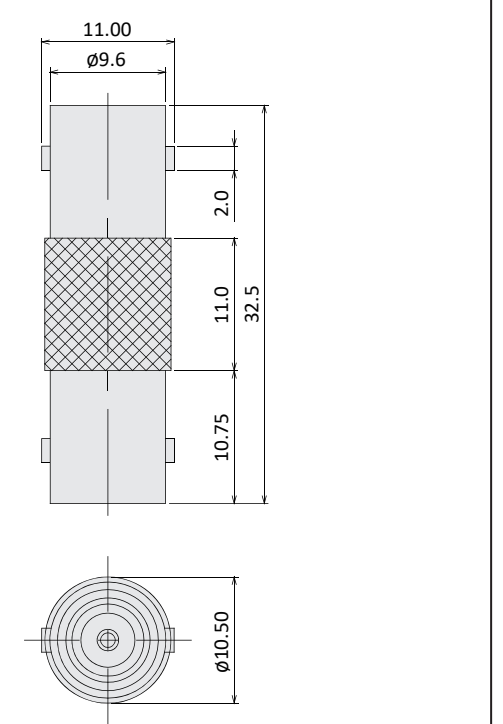


BNC Connector

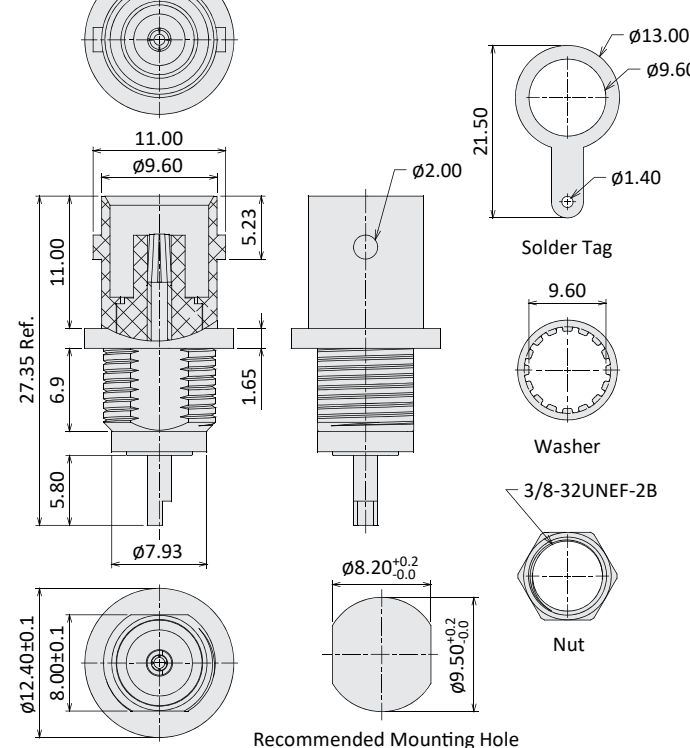
Part No.: BNCV-40114A



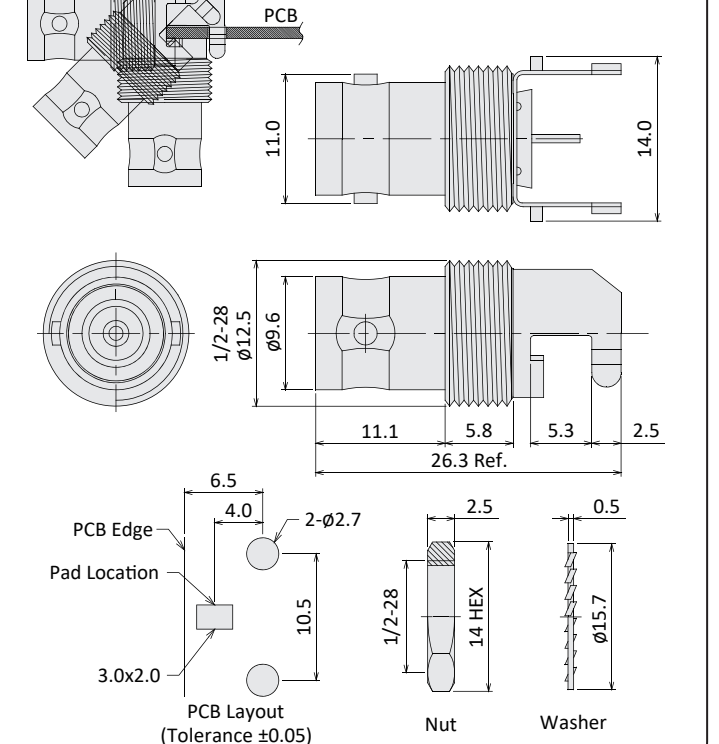
Part No.: BNCA-40010A



Part No.: BNCS-0038A



Part No.: BNCK-7040



BNC Connector

Nominal Impedance: 50 or 75Ω
 Current Rate: 5A
 Voltage Rate: 500V AC
 Frequency Range: 0~4GHz(50Ω) 0~1GHz(75Ω)
 Material Contact: Copper Alloy, Gold Plated
 Material Body: Zinc Alloy, Nickel Plated
 Material Insulator: POM / DELRIN / PE-606
 Material Washer: Steel, Nickel Plated
 Operating Temperature: -55°C ~+155°C



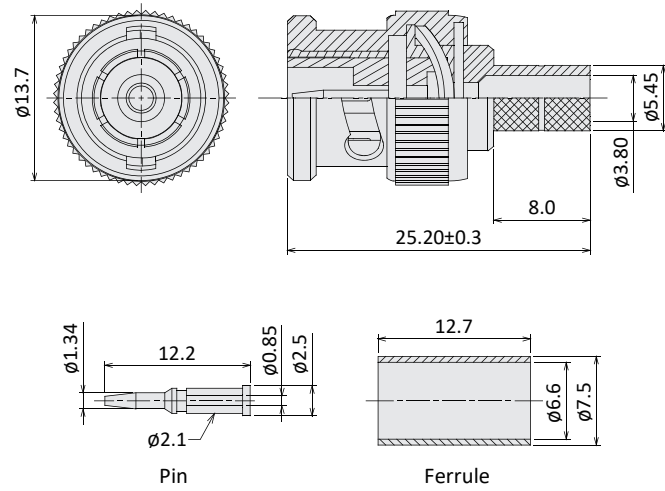
TNC Connector

Nominal Impedance: 50 or 75Ω
 Current Rate: 5A
 Voltage Rate: 500V AC
 Frequency Range: 0~4GHz(50Ω) 0~1GHz(75Ω)
 Material Contact: Copper Alloy, Gold Plated
 Material Body: Brass or Zinc Alloy, Nickel Plated
 Material Insulator: TPX/PE-606/PTFE/DELIN
 Material Washer: Steel, Nickel Plated
 Material Nut: Brass, Nickel Plated
 Operating Temperature: -55°C ~+155°C

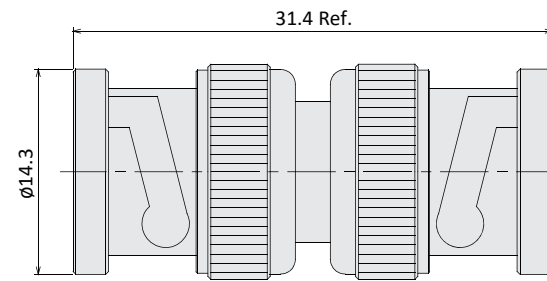


BNC Connector & Adapter

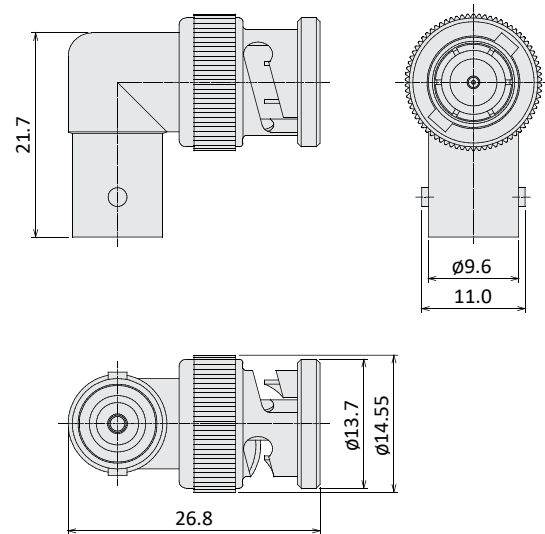
Part No.: BNCC-0033B



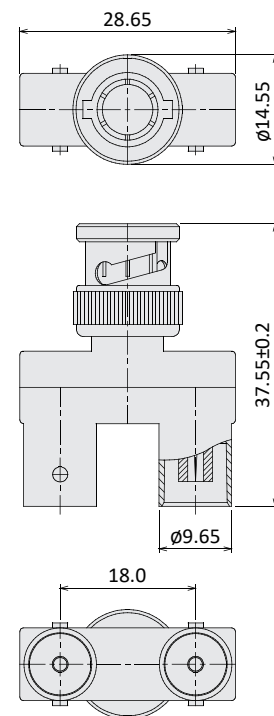
Part No.: BNCA-7046



Part No.: BNCA-7050

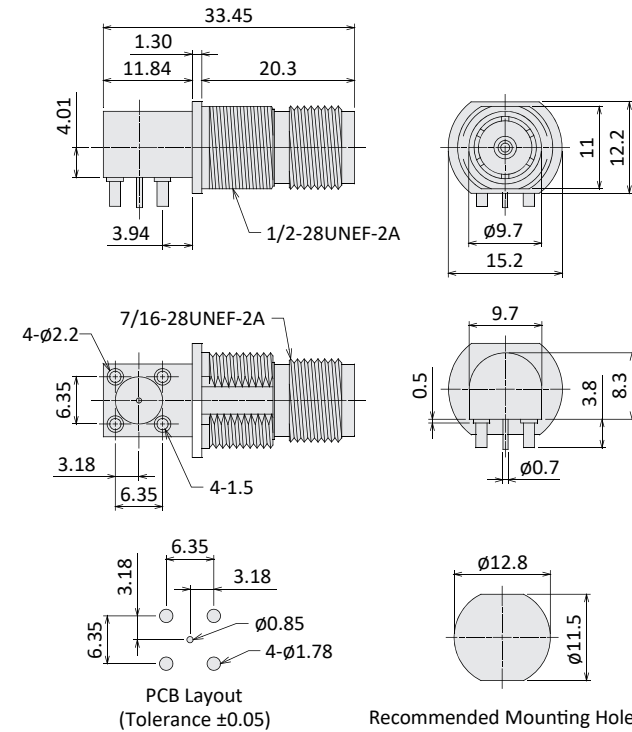


Part No.: BNCA-7060

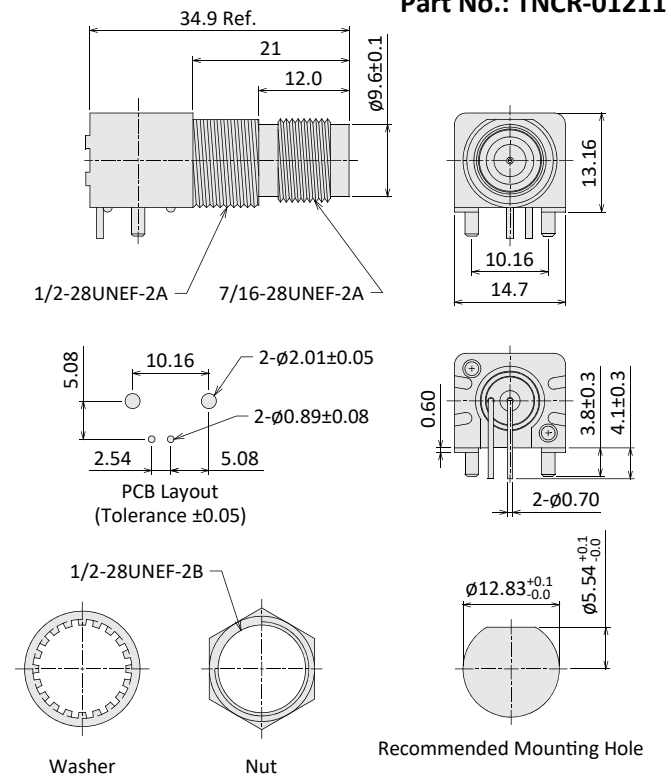


TNC Connector & Adapter

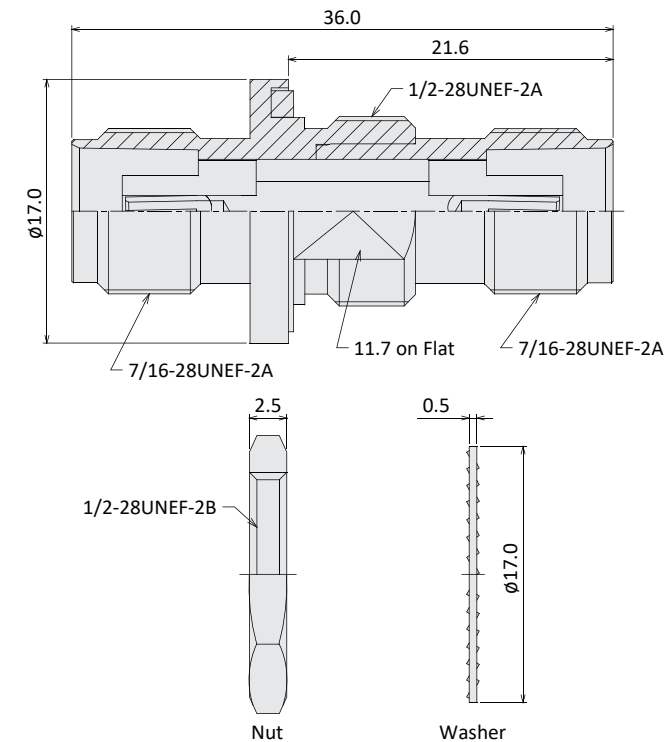
Part No.: TNCR-41031



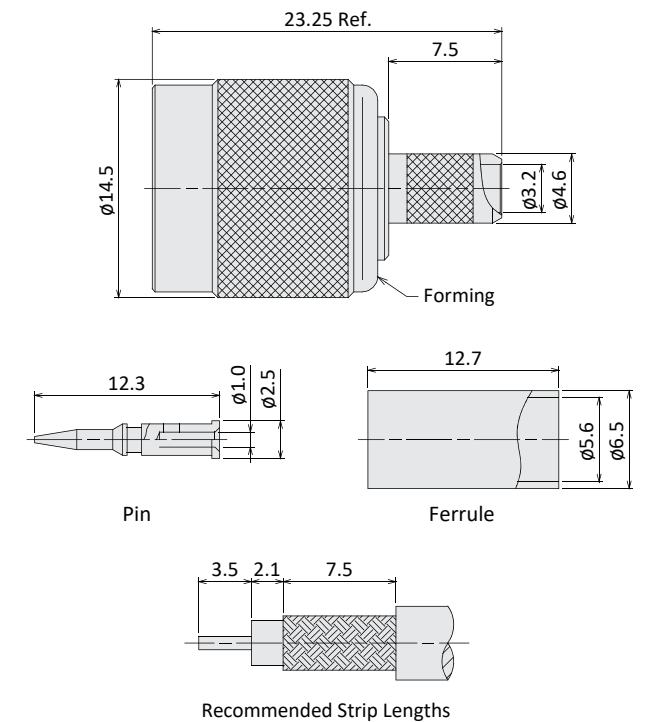
Part No.: TNCR-01211



Part No.: TNCA-T02F



Part No.: TNCC-50G58



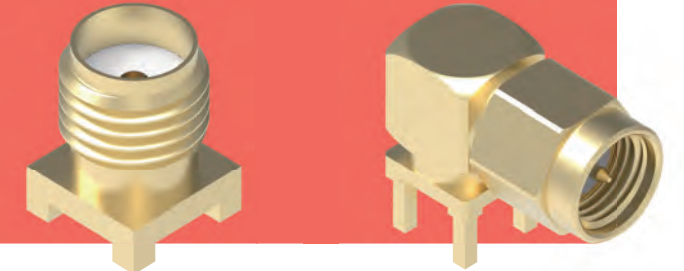
SMA Connector

Nominal Impedance: 50Ω
 Frequency Range: 0~6GHz
 Dielectric Voltage: 500V VRMS Min.
 Insulation Resistance: 5000MΩ Min.
 Contact Resistance: 2.5~5mΩ Max.
 Material Contact: Copper Alloy, Gold Plated
 Material Body: Brass, Gold Plated
 Material Insulator: PTFE, UL94V-0
 Operating Temperature: -55°C~+155°C



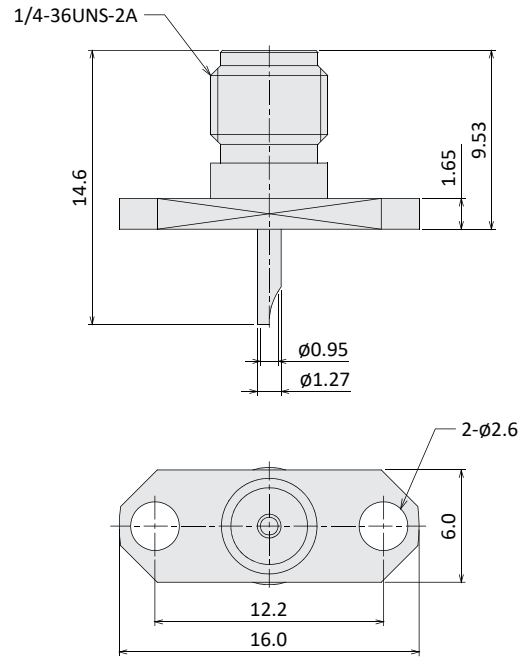
SMA Connector

Nominal Impedance: 50Ω
 Frequency Range: 0~6GHz
 Dielectric Voltage: 500V VRMS Min.
 Insulation Resistance: 5000MΩ Min.
 Contact Resistance: 2.5~5mΩ Max.
 Material Contact: Copper Alloy, Gold Plated
 Material Body: Brass, Gold Plated
 Material Insulator: PTFE, UL94V-0
 Operating Temperature: -55°C~+155°C

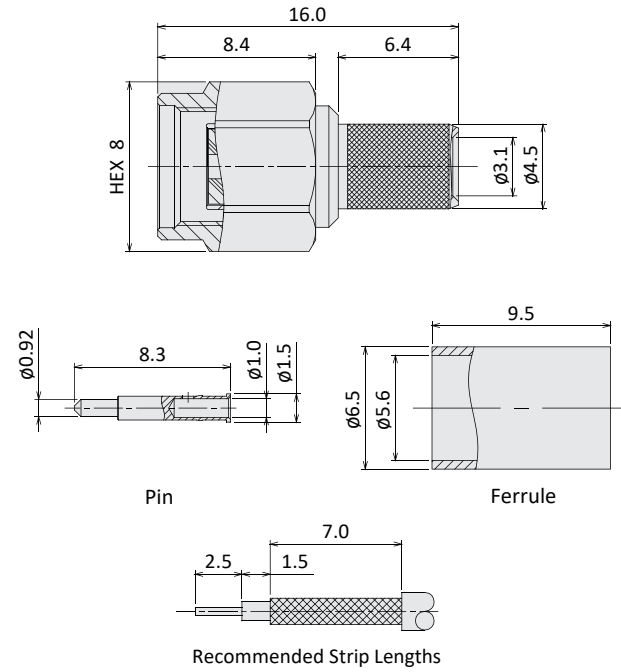


SMA Connector

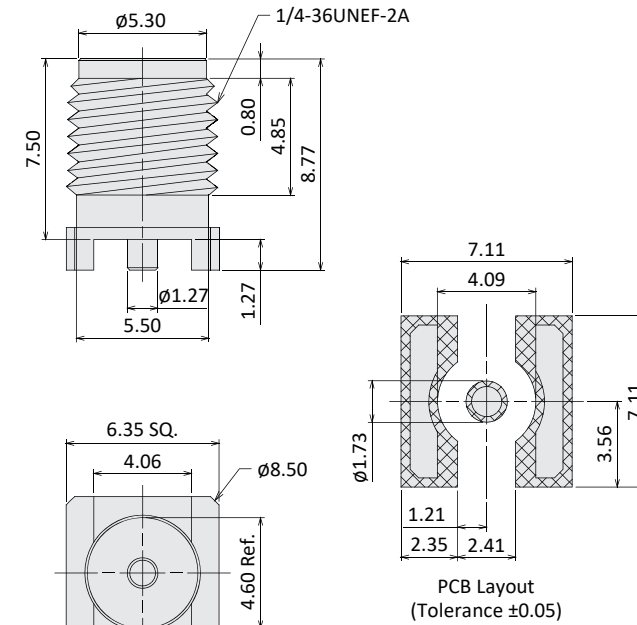
Part No.: SMAS-6551B1



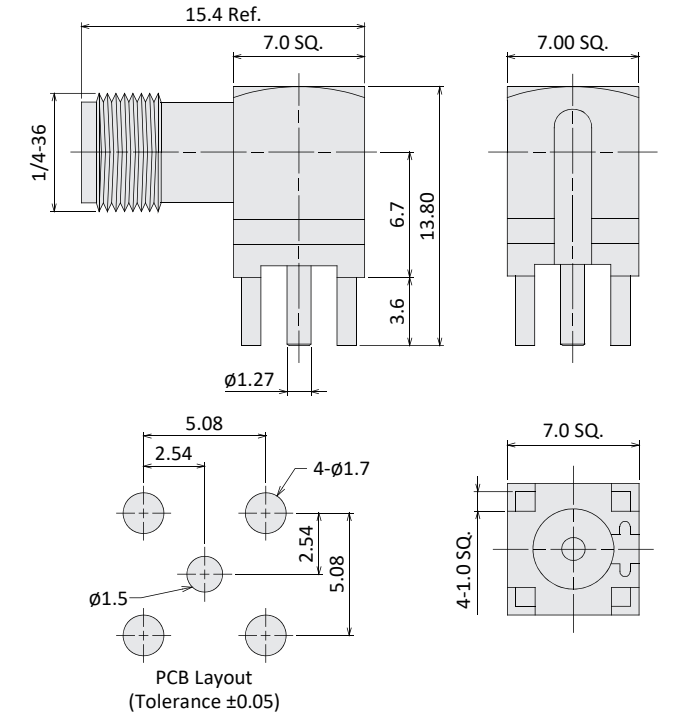
Part No.: SMAC-20458



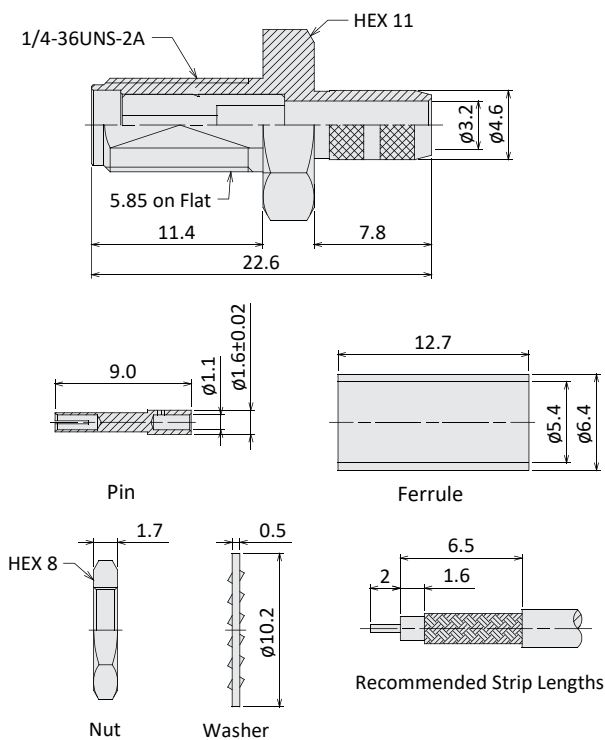
Part No.: SMAM-7502



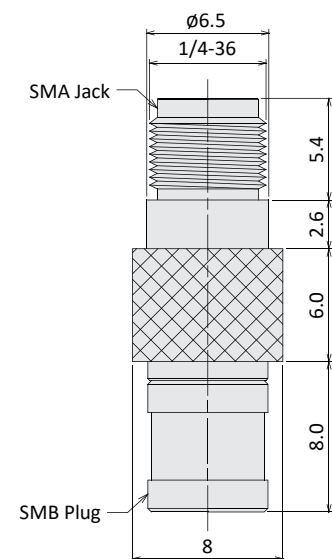
Part No.: SMAR-0235



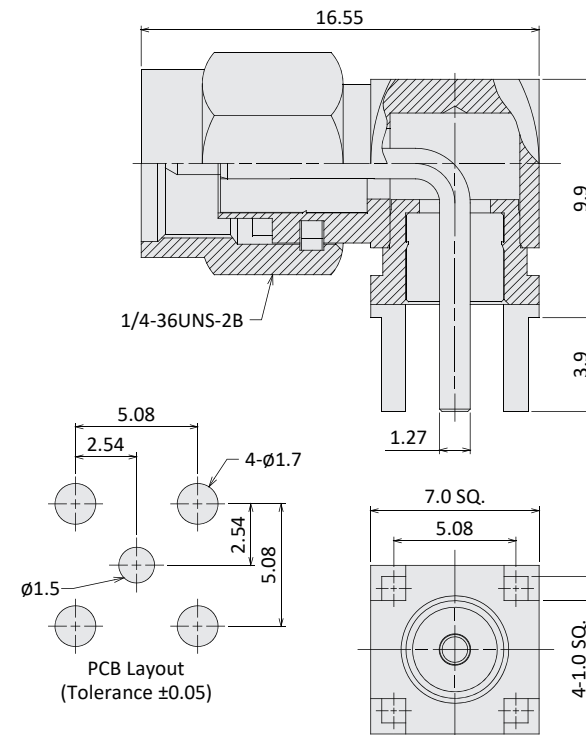
Part No.: SMAC-70191



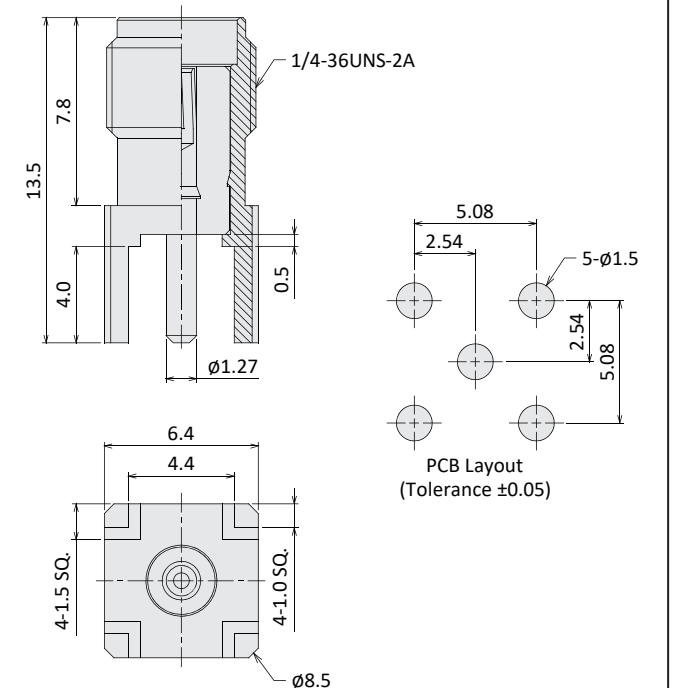
Part No.: SMAA-7860



Part No.: SMAR-9125

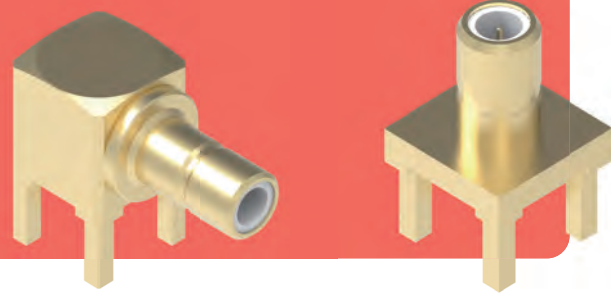


Part No.: SMAV-7503

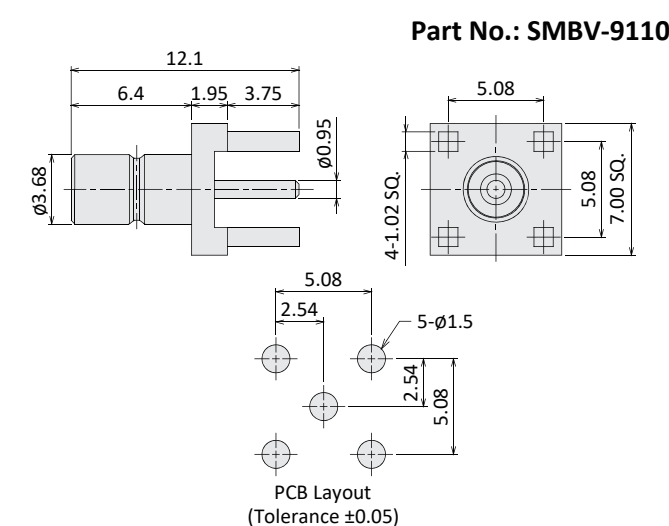
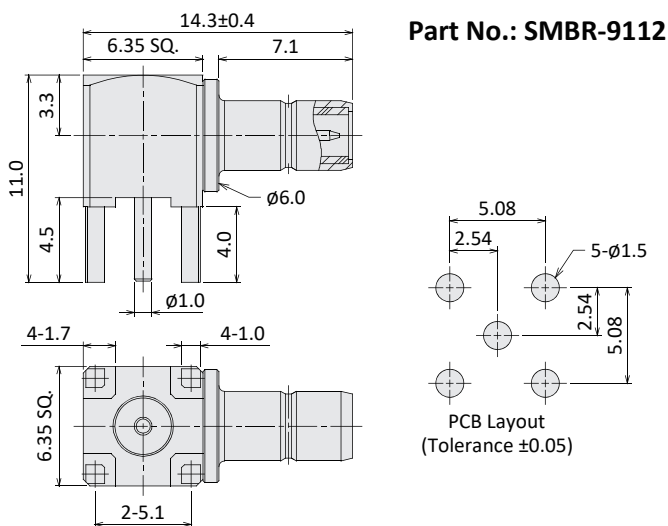
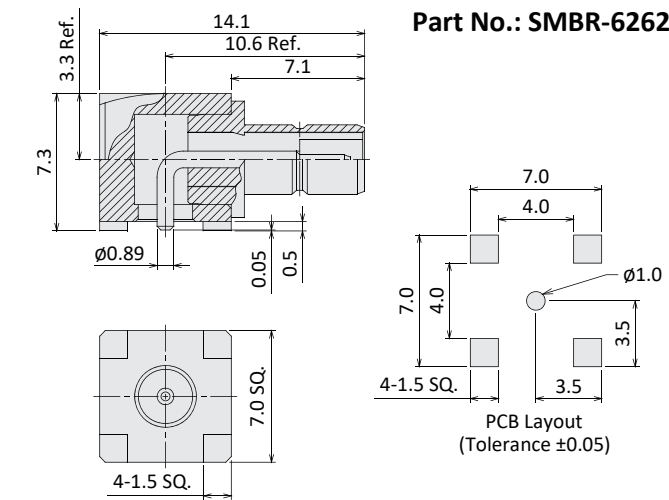
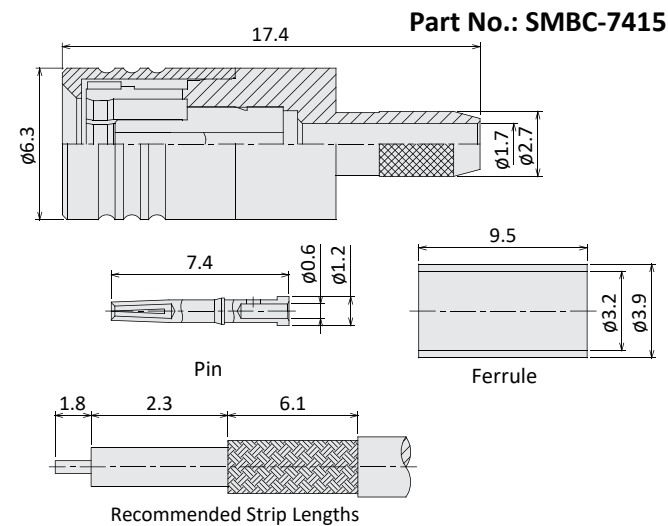
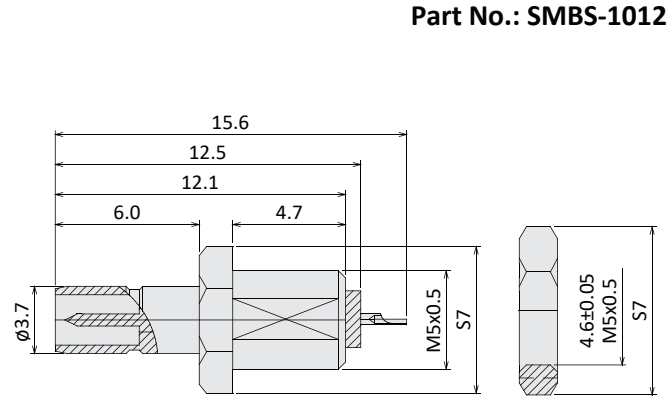
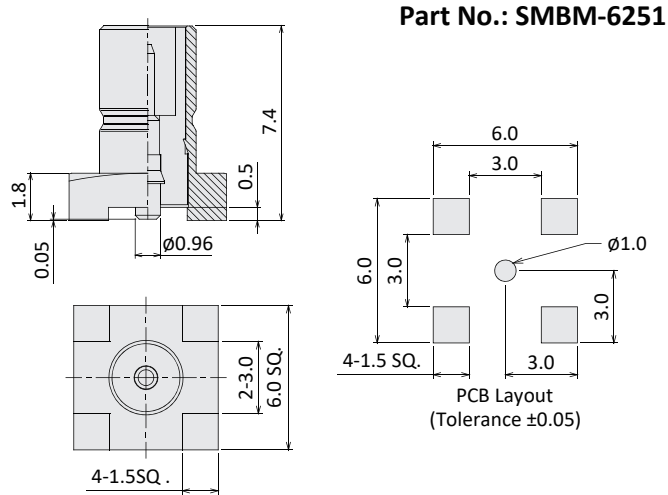


SMB Connector

Nominal Impedance: 50Ω
 Frequency Range: 0~6GHz
 Dielectric Voltage: 1000V VRMS Min.
 Insulation Resistance: 500MΩ Min.
 Contact Resistance: 25mΩ Max.
 Material Contact: Copper Alloy, Gold Plated
 Material Body: Brass, Gold Plated
 Material Insulator: PTFE/PBT/TEFLON, UL94V-0
 Operating Temperature: -55°C~+155°C

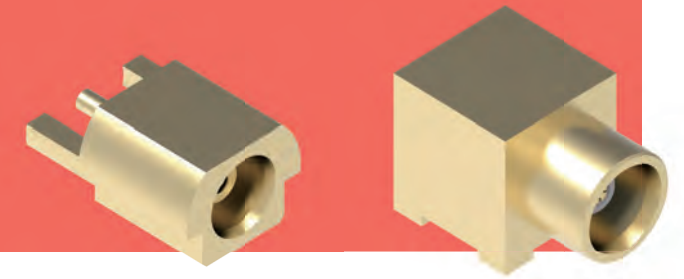


SMB Connector

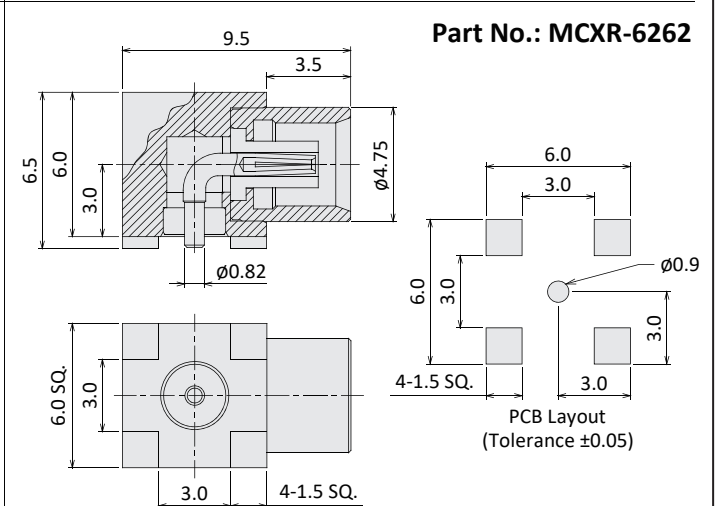
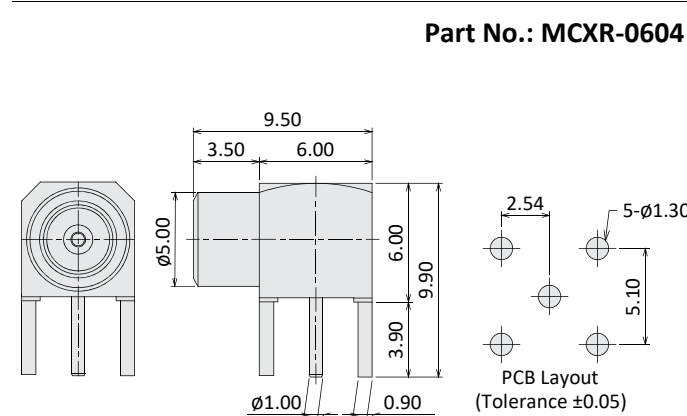
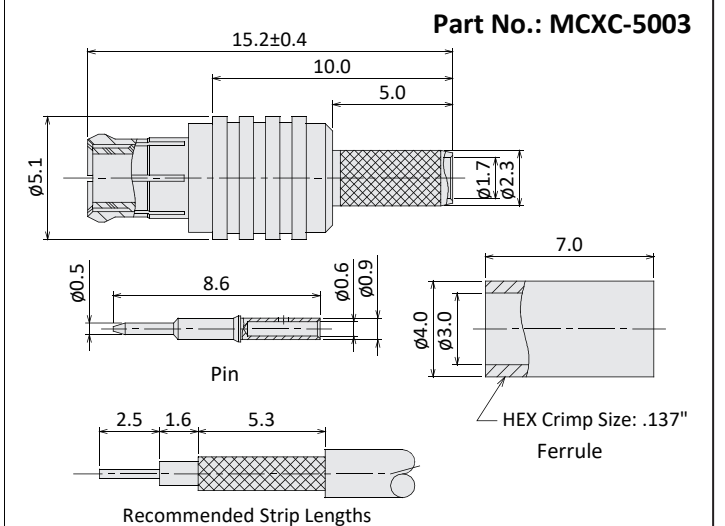
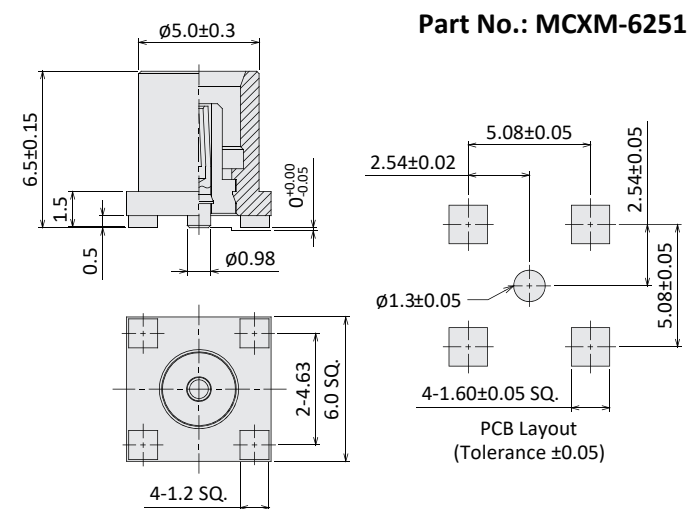
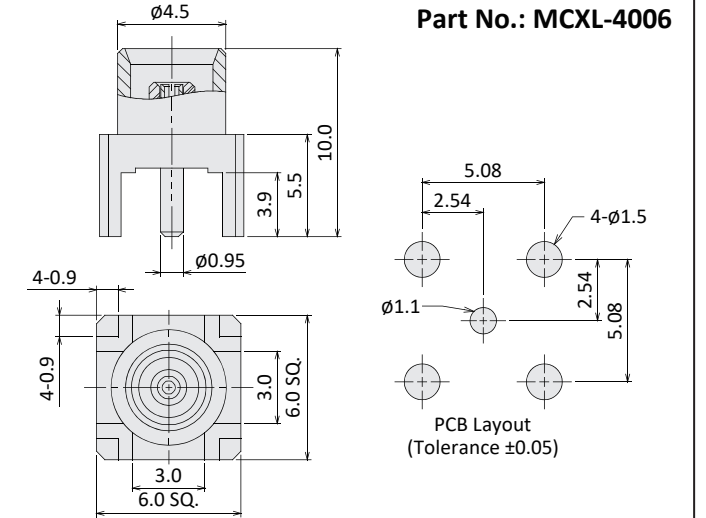
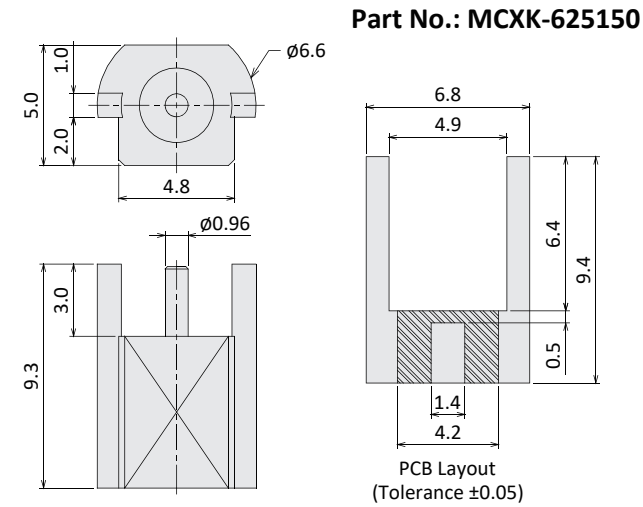


MCX Connector

Nominal Impedance: 50Ω
 Frequency Range: 0~6GHz
 Dielectric Voltage: 750V VRMS Min.
 Insulation Resistance: 1000MΩ Min.
 Contact Resistance: 2.5~5mΩ Max.
 Material Contact: Copper Alloy, Gold Plated
 Material Body: Brass, Gold Plated
 Material Insulator: PTFE, UL94V-0
 Operating Temperature: -55°C~+155°C

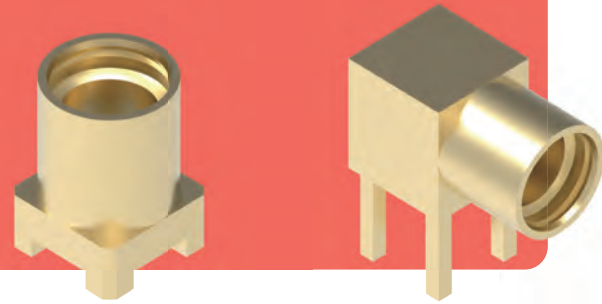


MCX Connector



MMCX Connector

Nominal Impedance: 50Ω
 Frequency Range: 0~6GHz
 Dielectric Voltage: 500V VRMS Min.
 Insulation Resistance: 1000MΩ Min.
 Contact Resistance: 2.5~5mΩ Max.
 Material Contact: Copper Alloy, Gold Plated
 Material Body: Brass, Gold Plated
 Material Insulator: PTFE, UL94V-0
 Operating Temperature: -55°C~+155°C



MMCX Connector

